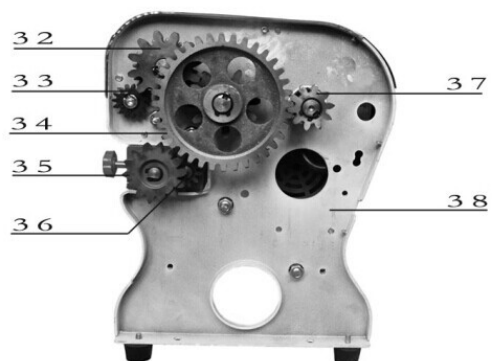
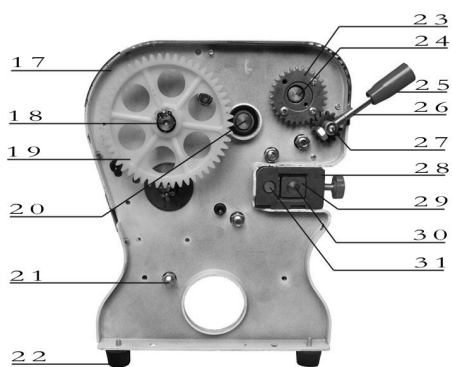
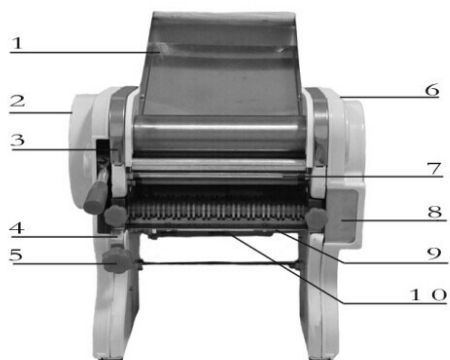


**ТЕСТОРАСКАТКА-ЛАПШЕРЕЗКА ЭЛЕКТРИЧЕСКАЯ HURAKAN HKN-NM220H**


**ТЕСТОРАСКАТКА-ЛАПШЕРЕЗКА ЭЛЕКТРИЧЕСКАЯ HURAKAN HKN-NM220H**

<b>Поз</b>	<b>Наименование детали</b>
1	Container of flour
2	Machine cover I
3	Cover strip
4	Noodle knife presser
5	Presser screw
6	Machine cover II
7	Scrap of roller
8	Gear cover
9	Scrap presser
10	Scrap of the knife
11	Back cover
12	Front-panel block I
13	Noodles roller I
14	Noodles roller II
15	Motor
16	Front-panel block II
17	Frame I
18	Drive shaft
19	Speed reducing gear
20	Bearings 6003
21	Double headed screw
22	Feet
23	Adjusting big gear
24	Eccentric
25	Plastic handle
26	Handle
27	Adjusting shaft
28	Noodles knife clipboard
29	Slider
30	Knife roller I
31	Knife roller II
32	Noodles roller gear I
33	Adjusting small gear
34	Noodles roller gear II
35	Noodles knife gear I
36	Noodles knife gear II
37	Frame II
38	Transmission gear